



NOTICE TO ALL BUILDERS

Due to the number of water pits and curb boxes that are not ready for water meter installation, the Town reserves the right to charge a \$25 fee for each subsequent trip.

It is the builder's responsibility to make sure the meter pit and curb box meet all the requirements before they call for a water meter to be installed.

Before the water meter is installed:

1. The meter pit lid and curb box need to be above ground and accessible.
2. The curb box needs to be directly over the valve, so the water can be turned on to flush the line.
3. The yoke needs to be 18 inches below the top of the cast iron lid. (see diagram attached)
4. The yoke needs to be centered in the pit with a piece of $\frac{3}{4}$ inch PVC pipe and attached with plastic wire ties. (see diagram attached)
5. Framing complete.

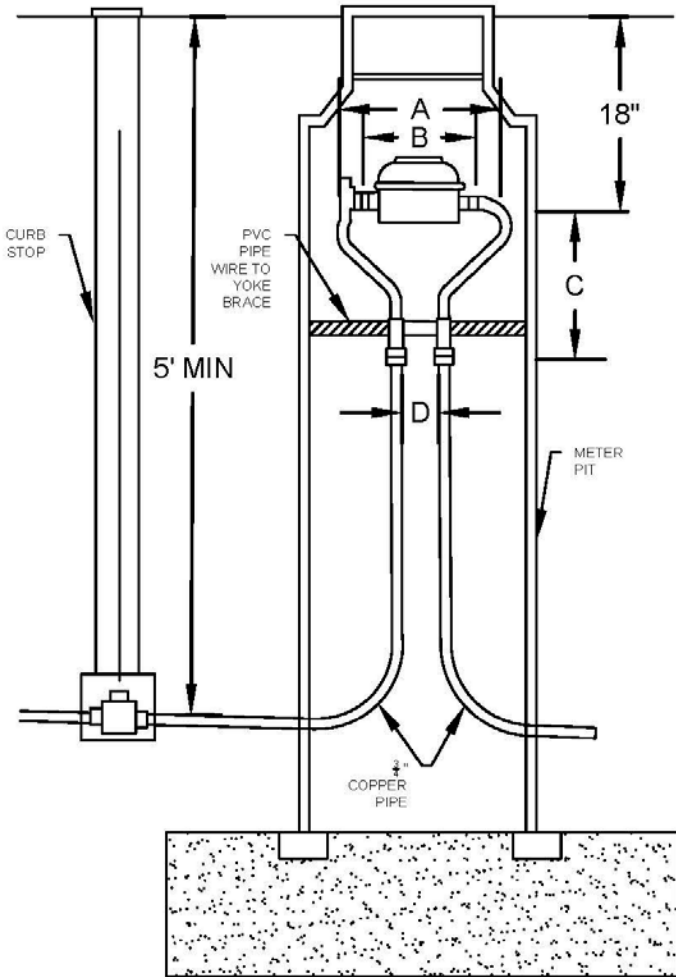
Meters shall be placed at the direction of the Town Administrator. (Municipal Code Sec. 13-4-70)

Before the C/O is issued:

1. The pit will be inspected to meet all requirements. (including those above)
2. Pit lid and curb box need to be at final grade, they both need to be at the same level.
3. If risers are used, they need to be secured to the pit.
4. The curb box needs to be straight so the valve wrench fits on the shut off valve.
5. All things associated with the water meter, water meter pit, and curb box, need to be intact and in perfect operating condition.
6. If anything is found broken or damaged, the builder will be charged for the cost of parts and labor.



Requirements:



SCALE N.T.S.

METER SIZE	A	B	C	D
$\frac{3}{4}$ "	14 $\frac{1}{4}$ "	7 $\frac{1}{2}$ "	8 $\frac{15}{16}$ "	5"

1. Not for installation in roadways, driveways, or parking areas.
2. If surface is not to final grade at time of installation of meter, owner must raise or lower pit when surface is graded. Lid shall be 2 inches above grade.
3. Meter yoke shall be located no higher than 18 inches and no lower than 21 inches below the top lid on only copper. Also $\frac{3}{4}$ inch copper piping must be used from the curb stop to the yoke and then from the yoke extended a minimum of 5 feet beyond the meter pit. In the event the meter pit is adjusted to final grade, owner shall insure that the yoke be raised/lowered as required.
4. Meter to be located a minimum of 2 feet from the curb stop and within the utility easement adjacent to front of sidewalk, unless otherwise approved by public works director.
5. Meter pit shall be placed in free draining gravel base. Concrete not permitted.
6. Meter pit shall be 20 inches inside diameter and 48 inches deep duropipe bituminized fiber by metro states plastics or approved equal.
7. Sprinkler system connections shall be located a minimum of 5 feet downstream from the meter pit. Under no circumstances are sprinkler connections permitted in the meter pit.
8. No structures are to be located within 4 feet of meter pit. Landscaping is permitted, however access to the meter pit must be always maintained.
9. If pressure reducing valve is required by the plumbing code, it shall be installed inside the building immediately following the main shut off valve.
10. Service box for curb stop shall be of the McDonald type with a 2-holed lid model 5601 6 feet x 1 inch and an extension type curb box with arch pattern base and shut-off rod.
11. Curb stops shall be straight and clean of any debris.